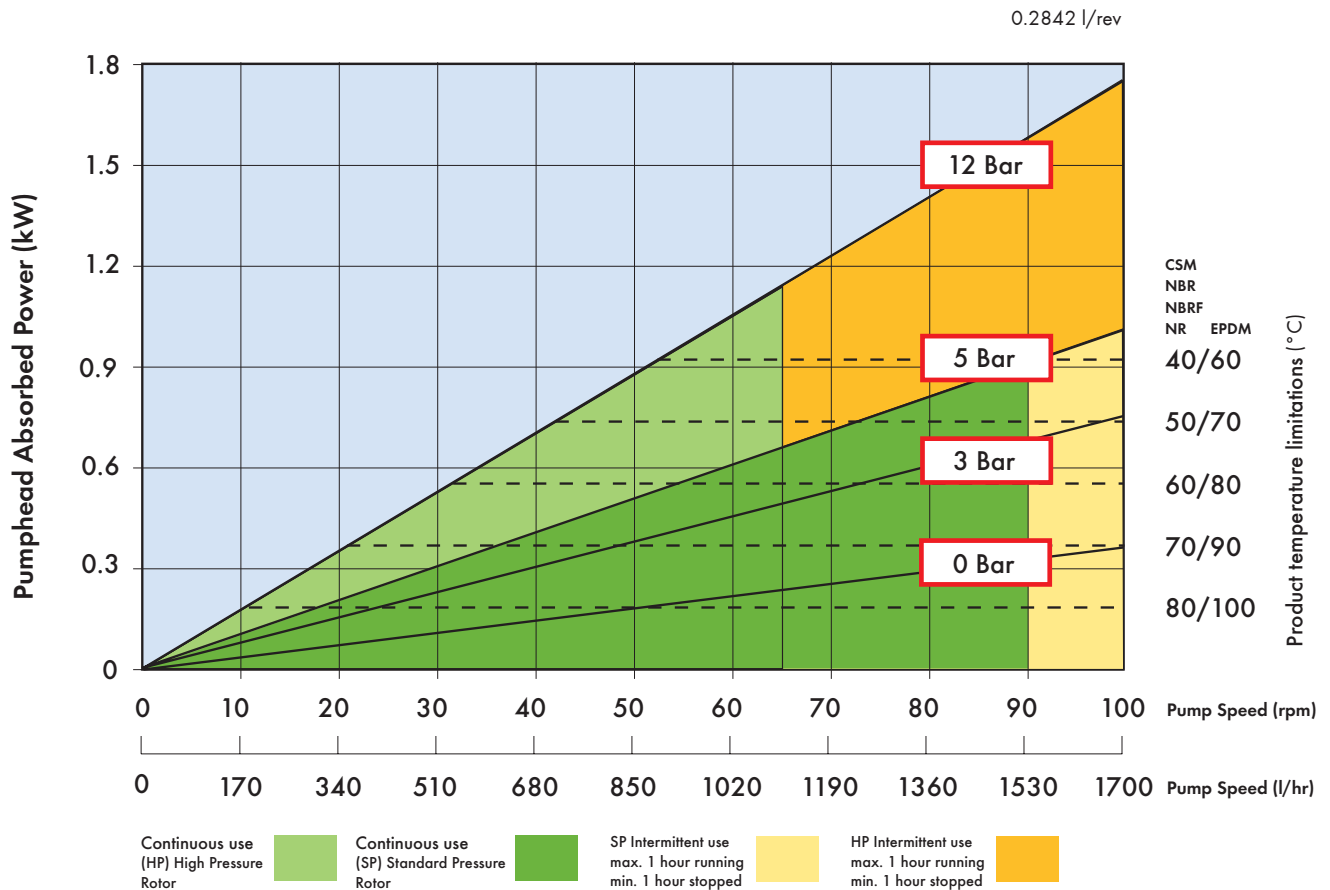


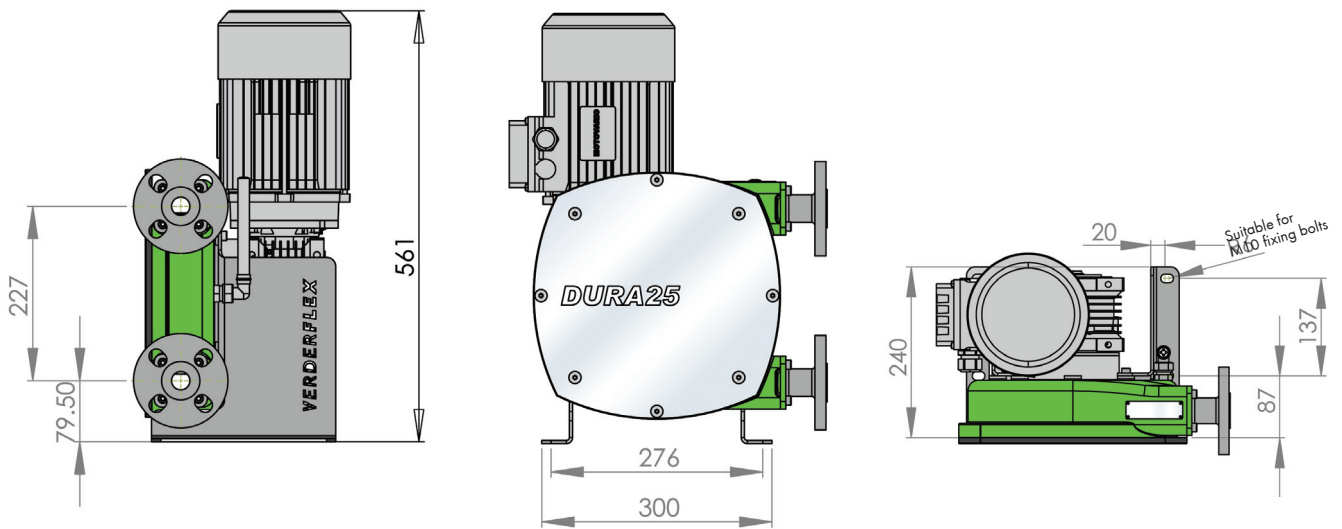
Verderflex® Dura 25 Technical Data Sheet



Description	Material	Description	Material
Pump housing	Cast Steel ASTM A216: WCB (RAL 6018 - Green)	Torque arm	EN10025 Structural Steel (RAL 7021)
Front cover	Polycarbonate	Bearing	Stainless Steel Grade EN1.4125 (440c)
Rotor	Cast Aluminium LM25 Option: Cast Iron GG25	Shaft seal	Viton Option: PTFE
Drive shaft	EN24T Steel	Lubricant	Verderlube - Glycerine based lubricant Verdersil - Silicon based lubricant
Flange	Stainless Steel Grade EN.14571(316)	Hose	NR Option: NBR, NBRF, EPDM & CSM
Flange coating (option)	Halar® Anti-Corrosion coating		
Base frame	Powder Coated Mild Steel (RAL 7035 - Grey)		
Weight - Complete pump including drive			49 kg
Motor Mounted Inverter (Optional)			3 kg

Verderflex® Dura 25 Technical Data Sheet

General Assembly Drawing



Please Note: These GA drawings are for guidance only. For mounting drawings please contact an authorised Verderflex® distributor.

Standard Pump Configurations (Including Natural Rubber hose)

Flow l/hr	Pump Speed RPM	Installed Motor Power kW	Part Number Std Rotor (for up to 6 Bar discharge pressure)	Part Number HP Rotor (for up to 8 Bar discharge pressure)
188	11	0.37	136.2000	136.2100
256	15	0.37	136.2010	136.2110
307	18	0.55	136.2020	136.2120
392	23	0.55	136.2030	136.2130
477	28	0.75	136.2040	136.2140
597	35	0.75	136.2050	136.2150
801	47	0.92	136.2060	136.2160
955	56	1.1	136.2070	136.2170
1194	70	1.5	136.2080	136.2180
1586	93	1.84	136.2090	136.2190

- Standard order options include IP65 protection, ATEX compliant pumps, thermistors and forced fan cooling.
- Dura pumps for discharge pressures over 8 Bar are available to special order

VERDER Ltd

Whitehouse Street, Hunslet, LEEDS, LS10 1AD • Tel: +44 (0)113 222 0250 • Fax: +44 (0)113 222 0291 • info@verderflex.com

Affiliated companies:

A Wien • B Aartselaar • CZ Praha • D Haan • F Eragny s/Oise • GB Leeds • H Budapest • JPN Tokyo
NL Groningen/Vleuten • PL Katowice • RO Bucaresti • SA Kya Sand • USA Newtown

www.verderflex.com